

TOP VIEW

SHOWING THE POSITION OF THE STEEL RING

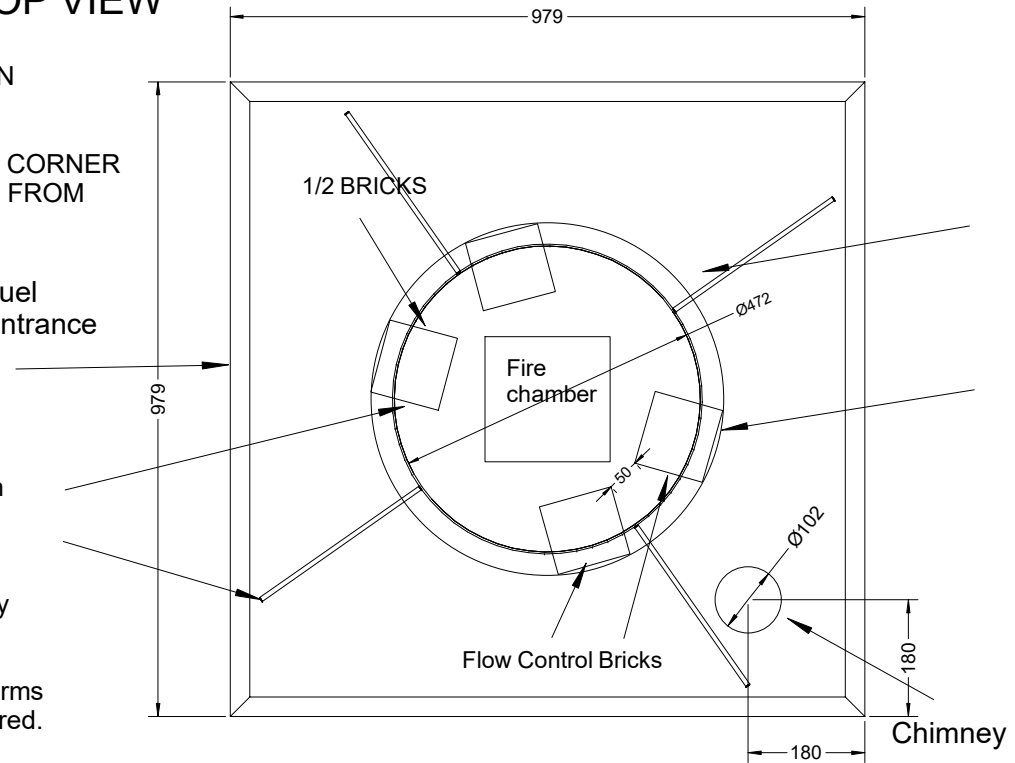
THE CHIMNEY IS IN THE CORNER APPROX 215 TO 215 mm FROM THE SIDE OF THE BODY

Fuel Entrance

Flat Bar Ring with 4 legs at 45 deg

Rotate the ring to avoid the chimney connector.

Cut or bend the arms to length as required.



			2024 MEMD 50 LITRE STOVE
			Key Features: Direct exit of the gases to the chimney is partially blocked Chimney is in the corner
			Material: Brick and High temperature brick
			Quantity: Various
			Scale: Not to scale
Version: 1.4	Date: 2024-12-17	Initials: CPP	Drawn By: C Pemberton-Pigott
Drawing No. 04 MEMD 50 Litres Top View Chimney			Part Top view: ring and chimney